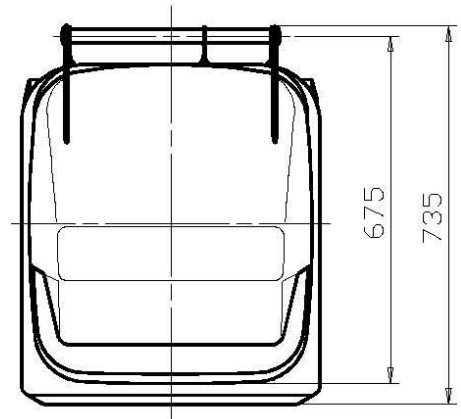
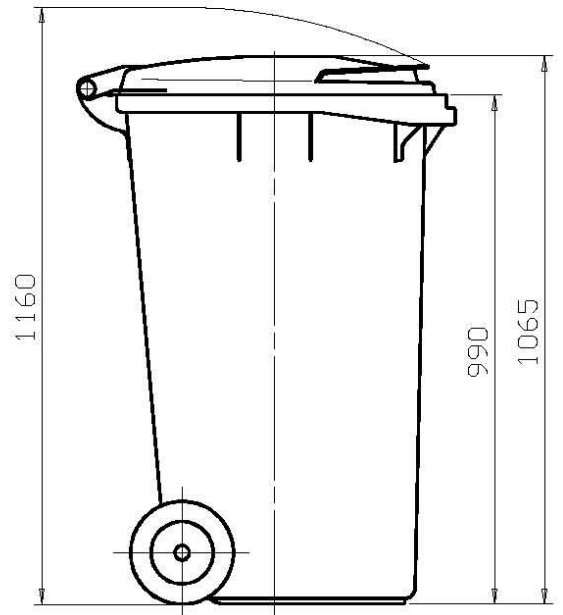
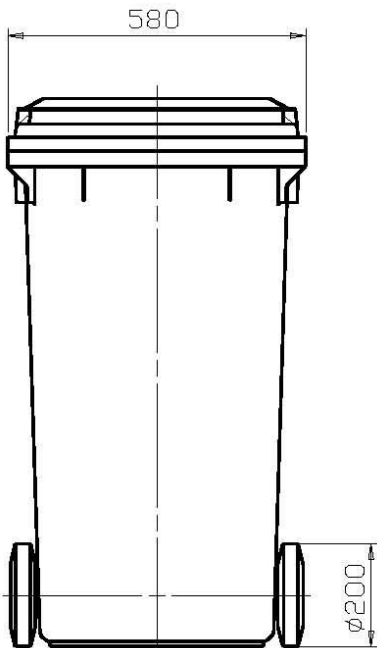


MGB 240L DIN version



TECHNICAL DATA

| | |
|-------------------|----------------------------------------------------------|
| Capacity | 240l |
| Weight | approx. 14kg |
| Material | HDPE, UV stabilized |
| Wheels | 2 rubber wheels Ø200mm corrosion resistant steel axle |
| Lid/body fixation | lid with liphandle continuous handle: Ø27mm |

OPTIONS

- Wheels Ø250mm
- Gravity lock, triangular lock, pad lock
- Recycling inserts for paper, glass, packaging
- Foot operated lid opener
- In Mould Labelling
- Hot stamping
- Lid with bow-type handle
- Holder for plastic bag
- Version Diamond comb
- Version integrated wheels
- Noise reduction according 2000/14/EG-39



ESE Industrie GmbH

Fr.-Bückling-Str. 8; 16816 Neuruppin, Germany
Telephone +49 33 91 51 65 56 Fax +49 33 91 51 65 98



Technical changes possible