

FISA TEHNICA

PRODUSUL: Hidrant portativ DN80IC, iesire 1 x C, cu un racord fix tip C (2 " sau 52 mm), fara robinet



CARACTERISTICI TEHNICE:

Diametru- DN80

Material- Aluminu

Presiunea de lucru- 16 bar

Presiunea de testare- 24 bar

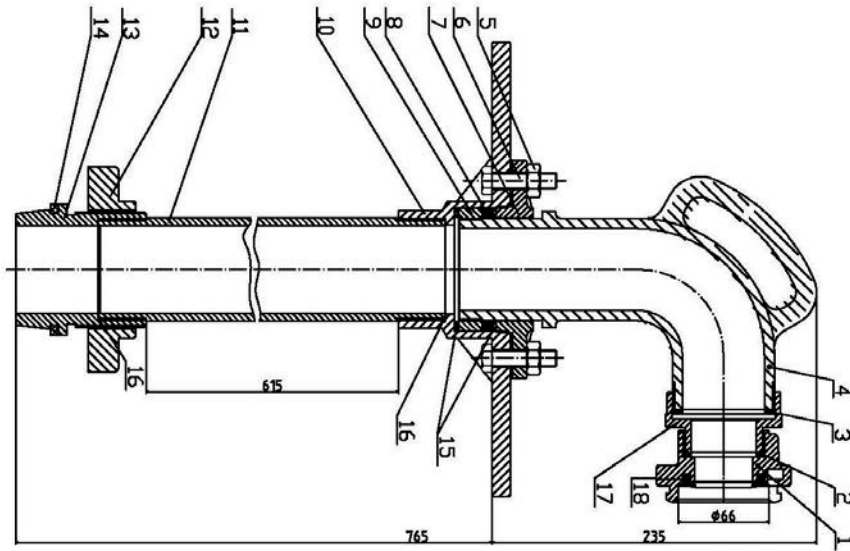
Inaltime- 1000 mm

Latime- 335 mm

Adancimea filetului: 100 mm

CARACTERISTICI DE UTILIZARE:

Hidrantii portativi se folosesc pentru cuplarea hidrantilor subterani de furtunurile de refulare din dotarea unitatilor de pompieri, racordarea la hidrantul subteran pentru alimentarea cu apa a utilajelor de stins incendii precum si la alte necesitati. Acestia pot avea diametrul de 80 respectiv 100 mm, pot avea una sau 2 iesiri tip B (75 mm) sau C (52 mm).



- Technical requirements:**
1. The fire hydrant has to be operable and reliable in case of use.
 2. The fire hydrant has to be tested according to relevant testing guidance and enterprise criteria.
 3. Bumping should be avoided to keep a good appearance quality.
 4. Working pressure 16bar and test pressure 24bar
 5. When the fire hydrant is closed, the water outlet should be clear.
 6. Only part 4 is red painted and the other parts are silver painted.

18	HY003-009A-37	seal	1	NBR	
17	HY000-012A-35A	connector	1	ZL102	
16	HY 010-011-10A	O-ring	2	NBR	
15	HY 010-011-02	gasket	2	PTFE	#90#77#3
14	HY 010-01A-37	seal	1	NBR	
13	HY 010-01A-35	connector	1	ZL102	
12	HY 010-011-85	ring	1	ZL102	
11	HY 010-011-116	connecting pipe	1	6061	
10	HY 010-01A-21	connecting cap	1	ZL102	
9	HY 010-011-35A	connector	1	6061	
8	HY 010-011-10	O-ring	1	NBR	#90#75
7	HY 010-011-85A	ring	1	ZL102	
6	HY 010-011-38A	bolt M12 zinc plated	2	O286	
5	HY 010-011-34B	nut M12 zinc plated	3	SUS304	
4	HY010-012-115	elbow	1	ZL104	
3	HY001-021-37	seal	1	NBR	
2	HY003-022B-37	seal	1	NBR	#60X#47X3
1	HY003-015D-35A	connector	1	304	
fire hydrant assembly					
HY010-012F-00					
Design: Design Fire Hydrant Requirement: 0x14					